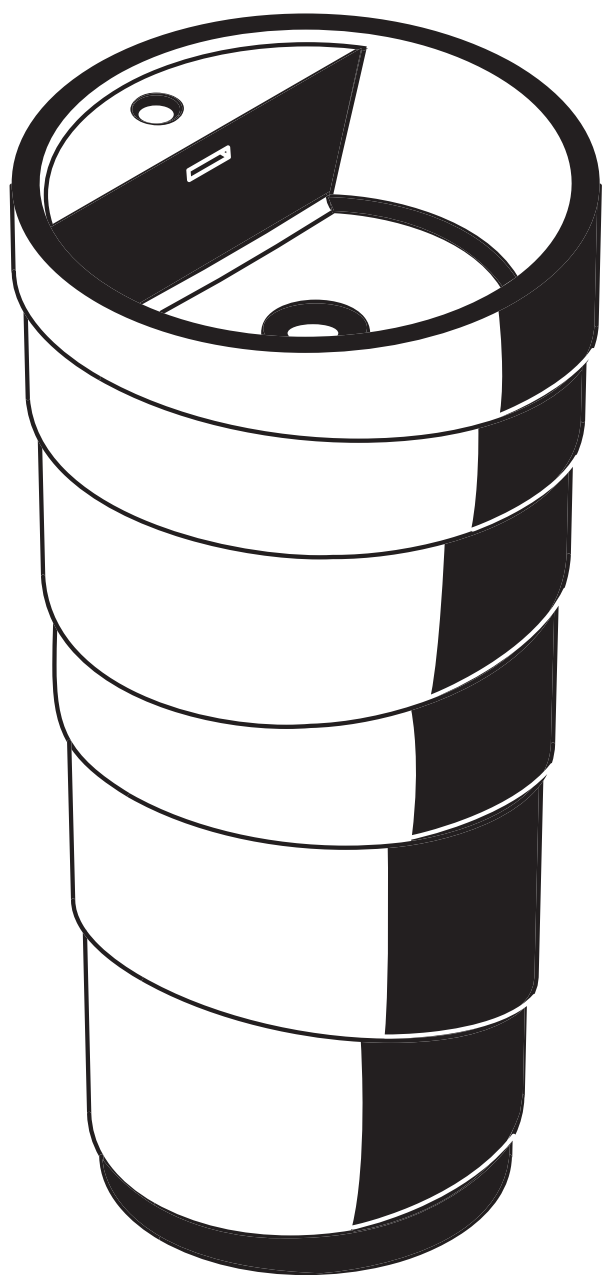


CONSOLE **N** PEDESTAL



ROCKVIEW COLLECTION

**ASSEMBLY
INSTRUCTIONS**

! READ ALL INSTRUCTIONS BEFORE UNPACKING THE PRODUCT

Instructions that if ignored could result in death or serious injury caused by incorrect handling or installation of the product.

These instructions must be observed for safe installation.

CAUTION! TWO PERSON LIFT REQUIRED 2 PEOPLE ARE REQUIRED TO LIFT AND DURING ENTIRE INSTALLATION OF THIS PRODUCT

INSTALLATION OF THIS PRODUCTS BY AN INEXPERIENCED INSTALLER MAY RESULT PERSONAL INJURY OR DEATH!

We reserves the right to change, update, modify, alter, redesign this manual/product or its policies without prior notice!
It is your responsibility to visit website to download or contact customer service for the most updated version of the installation instructions.

We shall not be liable for any injuries or property damages in connection with this product during installation or use of this product!

This products must be installed by a fully insured and licensed plumber only. Installation of any our product by anyone other than fully insured and licensedsz plumber shall void limited warranty. We recommends that such licensed plumber have experience in the installation of products.

Limited warranty is void on any commercial installation.

We are not responsible for local code compliance for this product. Building and plumbing codes may vary from state-to-state in accordance to your location.

We are not responsible for providing any compliance certifications.

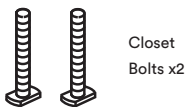
We are not responsible to provide any type of certifications for this product.

Under no circumstances we are shall not be liable for any and all incidental damages sustained in connection with this product Neither manufacture, nor distributor, nor retailer is responsible for water damage or flood caused due to use of this product.

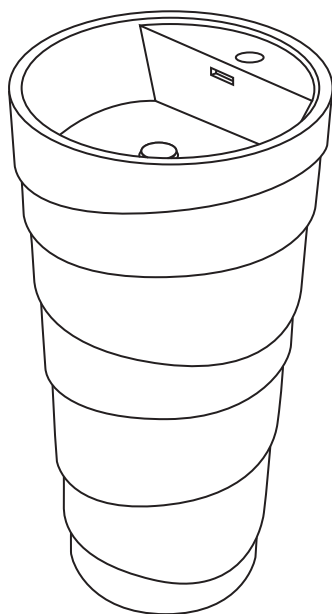
Under no circumstances We shall not be liable for any and all fees, cost of installation/reinstallation/removal, subsequent damage or transportation in case of the product defect.

PEDESTAL COMPONENTS

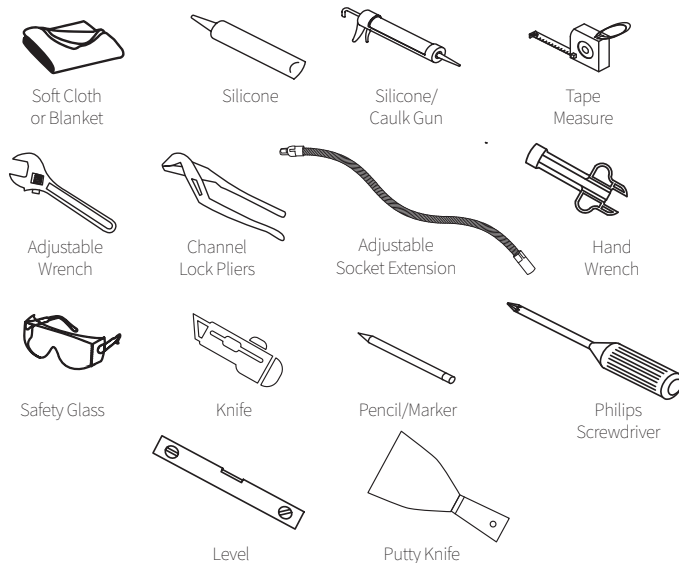
During unpacking the product and prior to installation inspect your new product for any damages or missing parts. Do not attempt to install or operate the product if the product is damaged.



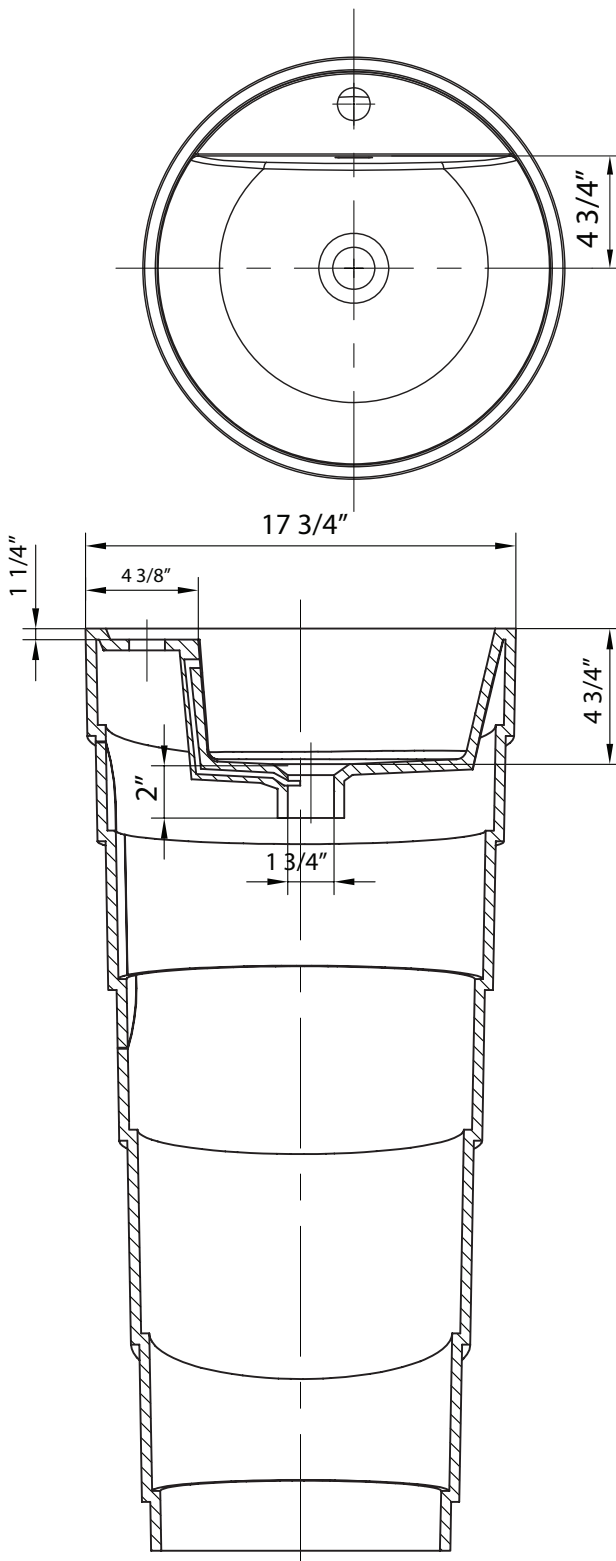
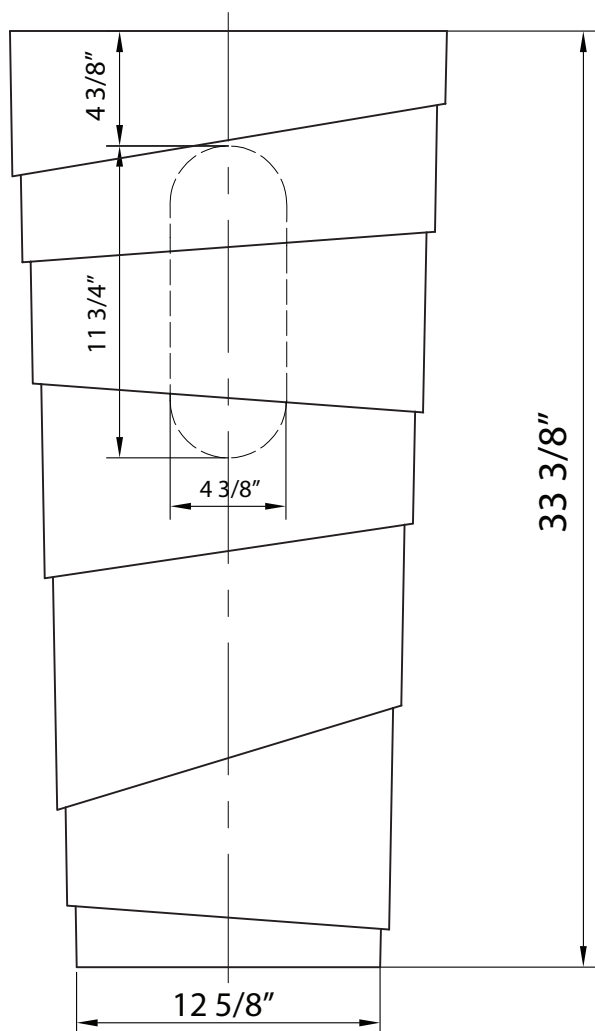
One piece toilet with soft-close toilet seat x1



TOOLS REQUIRED FOR INSTALLATION



DIMENSIONS/TECHNICAL DATA



ATTENTION! Dimensions may vary by up to 3/8". It is highly recommended to pull all dimensions of actual model for installation and measuring purposes.

TECHNICAL DATA

INSTALLATION INSTRUCTIONS

CAUTION!



2 PEOPLE ARE REQUIRED TO LIFT AND DURING ENTIRE INSTALLATION OF THIS PRODUCT

HELLO AND WELCOME

Hello and welcome to the Fine Fixtures family. You have chosen one of our impeccable Pedestal, and we're excited to get you started on installing it.

Before jumping in, we encourage you to take the time and read these instructions in their entirety. Please also be sure to observe all local plumbing and building codes, and remember that you are installing your sink at your own risk. Fine Fixtures cannot assume any responsibility for damages or personal injury that occur during installation.

BEFORE YOU START

1. Before installation, remove packaging materials and inspect sink for shipping-related damages. Return the sink to its protective carton until you are ready to install it.
2. Check to ensure that none of the pieces required for installation are missing.
3. Do not install if damages are found. Contact Customer Service at 718-602-6060 or at www.finefixtures.com/contact.
4. To avoid personal injury and surface damage, always use assistance when lifting sink.
5. The walls and the floor must be square, plumb, and level. Repair or replace the subfloor if necessary.
6. Your sink may appear different from the one illustrated. The installation steps remain the same.
7. Fine Fixtures, strongly recommends the use 100% silicone sealant as instructed in this installation guide. Other sealants may shrink, separate, and peel over time.

TAKE IN MIND: If you are not familiar with the installation and plumbing, consult a professional to avoid damages.

REMOVE OLD SINK

1. Shut off water supply line. The valves are typically under the sink. If you do not have shut-off valve near the sink shut off main water supply line, Then turn on the faucet to relieve any water pressure left in the lines.
2. Loosen the slip nut at the top of the P-trap. Remove the entire trap if necessary. Have a small bucket ready to catch any water left in the trap.
3. Disconnect the water supply lines. You might need a wrench to loosen them. Again, use a bucket to catch any water left in the lines.
4. Remove the old sink. Clean any remaining debris and wipe any water at the installation area

GOOD TO KNOW: If you're rerouting your plumbing, painting your walls, or installing wall tile, now is the perfect time to do it.

PREPARE THE PLACE

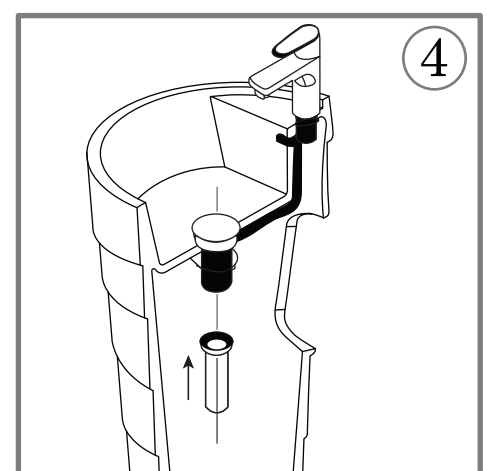
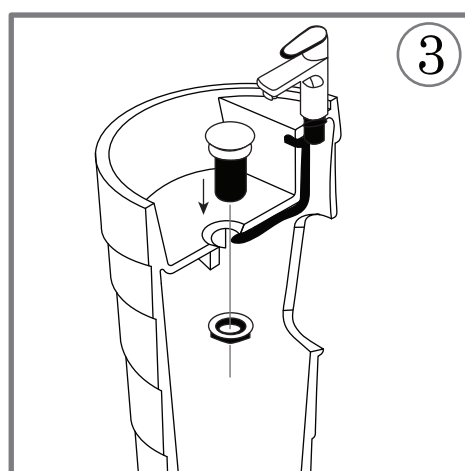
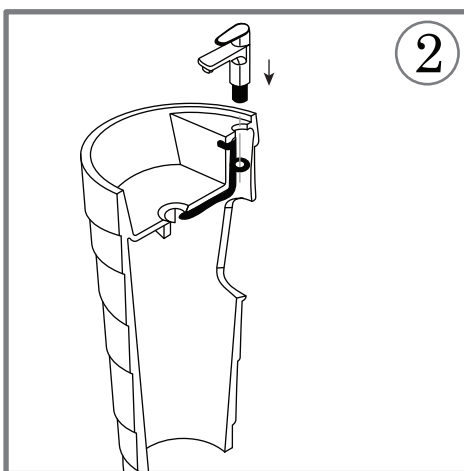
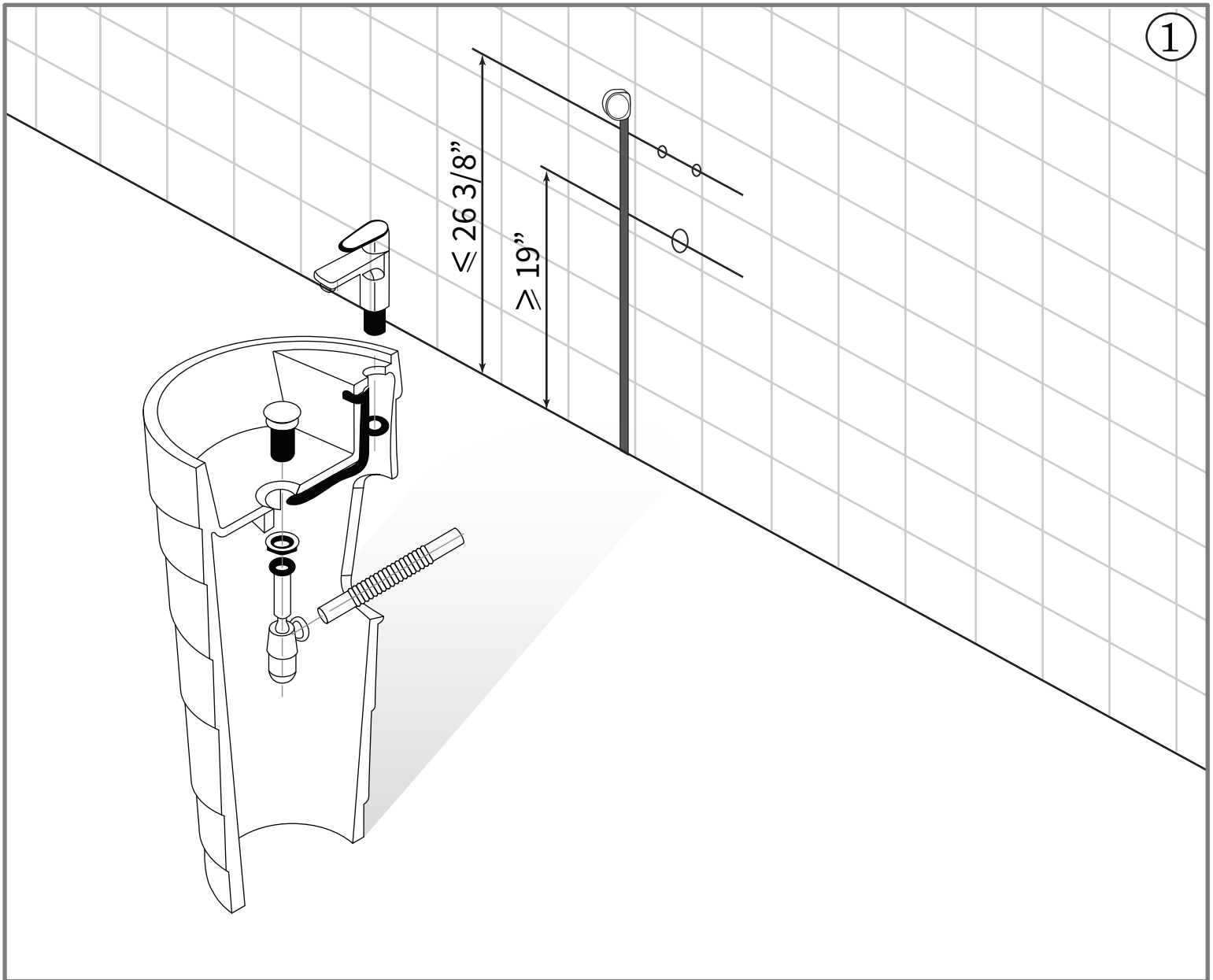
1. Follow all directions for specific steps.
2. Position the pedestal 3" (76.2 mm) away from the wall.
3. Use a pencil to mark the position on the floor.
4. Assemble the faucet and drain on the pedestal before you install it.

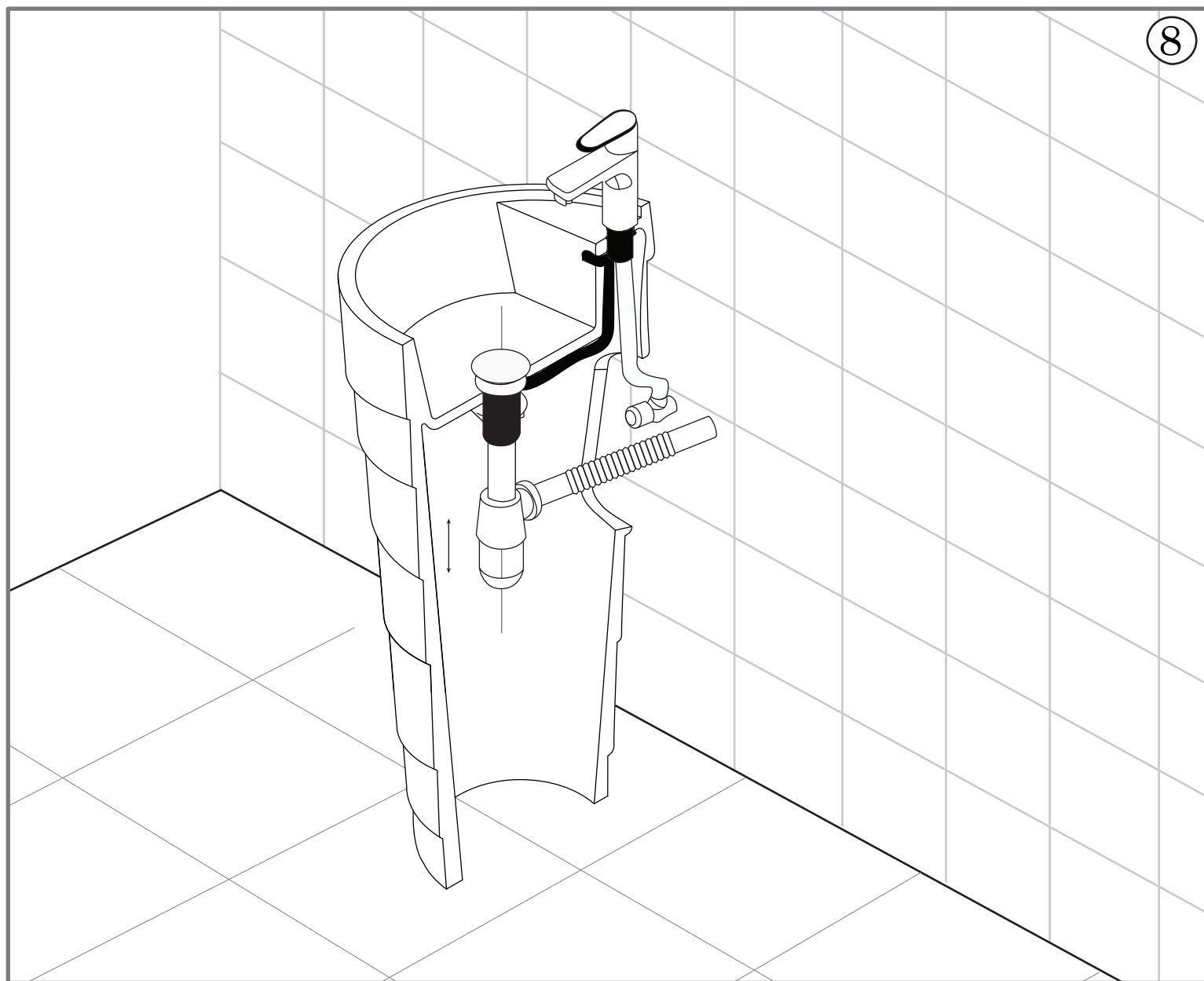
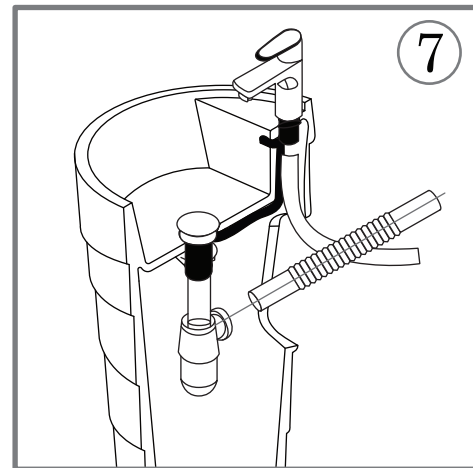
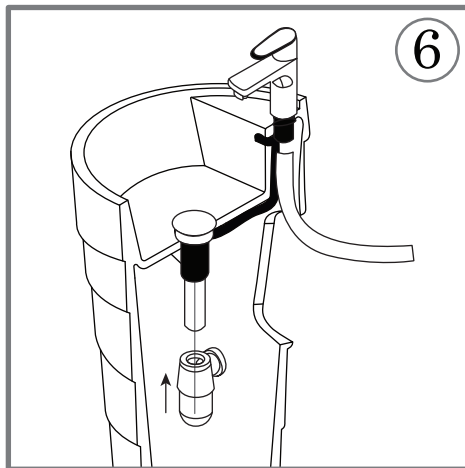
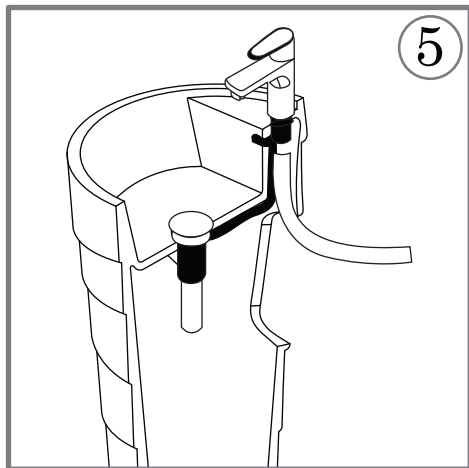
INSTALL THE NEW PEDSTAL

1. Lift and carefully put the pedestal over the marked spot. Once the pedestal is in the position make sure that the bowl is as leveled as possible to have it sealed tight.
2. Do not rock the pedestal back and forth and side to side as it may break or chip.
3. Apply 100% clear silicone sealant around the base.
4. Complete the faucet and drain connections, and run water and check for leaks.

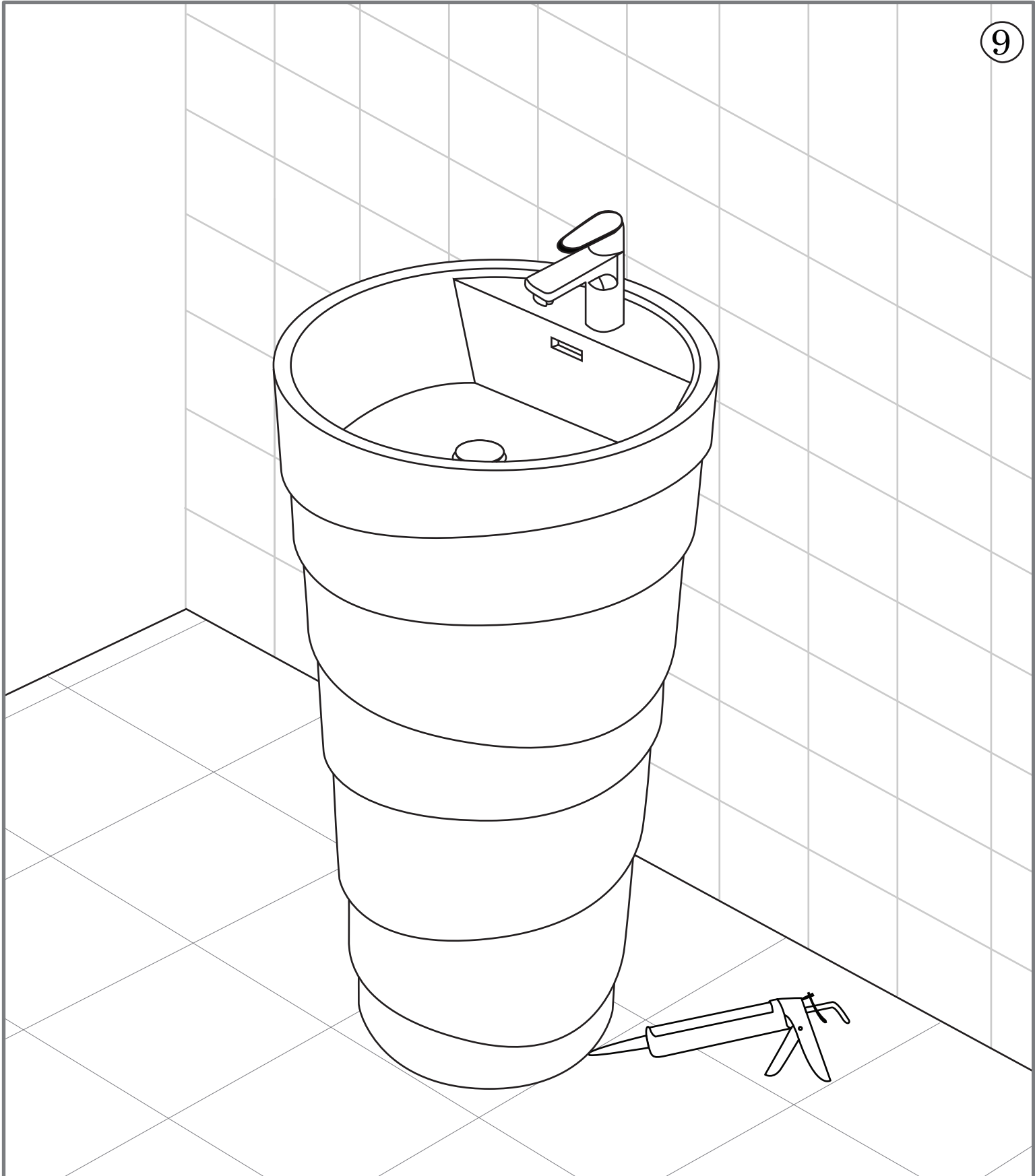


Always Use Soft-Cloth Blanket





9



Retain these installation instructions for future reference!

Thank you for using Fine Fixtures!